

# BP Series Motor Driven Piston Pump

## OVERVIEW

The BP series are high flow rate mechanical piston pumps for pressurised applications in chemical dosing. Extensive build options permit great customisability to maximise economy and practicality. Unsuitable for use with abrasive liquids containing solid particles.

All pumps have manual stroke length adjustment as standard. Optional automatic stroke length adjustment accepts a 4-20 mA signal (*models with 9.3, 10, 12.3, 14, 14.5, 15 and 20 mm stroke lengths only*).

The pump is encased in grey anodized aluminium finished with an anti-acid paint.

Can be built with an ATEX Zone 2 rated motor.



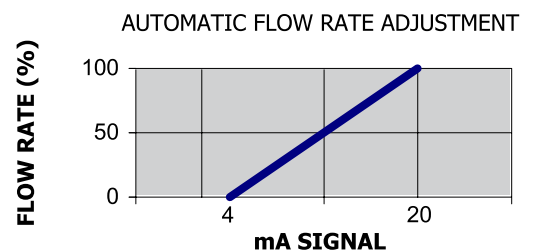
*BP motor pump with AISI pump head*

## TECHNICAL FEATURES

- Flow Rate                    14 - 1027 L/H
- Maximum Pressure        25 Bar (low flow rate AISI head models), 6.5 bar (highest flow rate models).
- Motor Options              Single Phase, Three Phase, optional ATEX Zone 2 compatibility, optional self-ventilated motor. Accepts 230 – 400 V input at 50 Hz, single phase motors restricted to 230/110 V.
- Inverter Control          Yes. Expert installation only. Requires self-ventilated motor.
- Pump Head                 PVC, AISI
- Seal Material              FPM, EPDM & NBR
- Thread                      Gas male 1/2", 3/4", 1", 1 1/2"
- ATEX Rated Motor        ATEX EEx-d 2G (Zone1) IIB T4 IP55 (Gas)  
ATEX EEx-d 2D (Zone1) IIB T4 IP65 (Dust)
- Valves                      Single ball check valve (AISI only), Double ball check valve (PVC only), ceramic or AISI ball valve options.

## 4 – 20 mA CONTROL OPTIONS

AP series pumps accept two control options - inverter control or automatic stroke length control. To a 4-20 mA signal. The chart to the left displays the control signal response. The tolerance is  $\pm 5\%$ . Please note that this requires a separate 24 V AC power supply and is available for models with 9.3, 10, 12.3, 14, 14.5, 15 and 20 mm stroke lengths only.



The information within this document may be subject to change without prior notice.

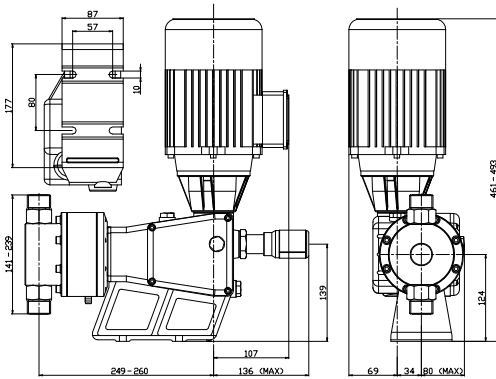
Doc #:                    **225T01 - 20.0**                    1 (2)                    17/05/2017

**Etatron GB Ltd**

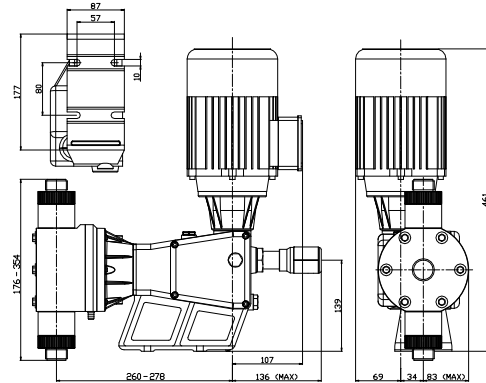
Etatron GB Ltd, Newlin Business Park, Exchange Road, Lincoln LN6 3AB  
 Phone: +44 (0)1522 852397  
 e-mail: sales@etatron.co.uk – web: www.etatron.co.uk

# BP Series Motor Driven Piston Pump

## DIMENSIONS



BP motor pump with AISI head



BP motor pump with PVC/PVDF Head

## PRODUCT INFORMATION

Code	Flow Rate (L/H)		Pressure (Bar)				Strokes per Minute		Stroke Length (mm)	Motor Output (Kw)	Valve Size
			AISI Pump Head		PVC/PVDF Pump Head						
	50 Hz	60 Hz	50 Hz	60 Hz	50 Hz	60 Hz	50 Hz	60 Hz			
BP0014**00000	14	17	25	25	-	-	60	72	20	0.25	1/2" GM
BP0024**00000	24	29	25	25	-	-	103	122	20		
BP0029**00000	29	-	25	-	-	-	120	-	20		
BP0034**00000	34	41	20	20	10	10	60	72	13		
BP0052**00000	52	63	20	20	10	10	60	72	20		
BP0066**00000	66	78	20	18	10	10	103	122	14.5		
BP0088**00000	88	106	20	18	10	10	103	122	20		
BP0103**00000	103	-	18	-	10	-	120	-	20		
BP0083**00000	83	100	12	9.5	10	9.5	60	72	13		
BP0128**00000	128	153	12	9.5	10	9.5	60	72	20		
BP0158**00000	158	188	9	7.5	9	7.5	103	122	14.5		
BP0220**00000	220	260	9	7.5	9	7.5	103	122	20		
BP0256**00000	256	-	7.5	-	7.5	-	120	-	20		
BP0163**00000	163	196	6	5	6	5	60	72	13		
BP0251**00000	251	302	6	5	6	5	60	72	20		
BP0312**00000	312	374	4.5	3.5	4.5	3.5	103	122	14.5		
BP0431**00000	431	512	4.5	3.5	4.5	3.5	103	122	20		
BP0503**00000	503	-	3.5	-	3.5	-	120	-	20		
BP0083**00600	83	100	18	14.5	10	10	60	72	13		
BP0128**00600	128	153	18	14.5	10	10	60	72	20		
BP0158**00600	158	188	16	13	10	10	103	122	14.5		
BP0220**00600	220	260	16	13	10	10	103	122	20		
BP0256**00600	256	-	13	-	10	-	120	-	20		
BP0163**00600	163	196	9	7.5	9	7.5	60	72	13		
BP0251**00600	251	302	9	7.5	9	7.5	60	72	20		
BP0312**00600	312	374	7	5.5	7	5.5	103	122	14.5		
BP0431**00600	431	512	7	5.5	7	5.5	103	122	20		
BP0503**00600	503	-	6	-	6	-	120	-	20		
BP0251**00700	251	302	11	9.5	10	9.5	60	72	0.37	3/4" GM	
BP0431**00700	431	512	9	8	9	8	103	122			
BP0503**00700	503	-	8	-	8	-	120	-			
BP0513**00700	513	614	5.5	4.5	5.5	4.6	60	72			
BP0838**00700	838	1004	4	3	4	3	103	122			
BP1027**00700	1027	-	3	-	3	-	120	-			
BP0251**00900	251	302	19	17.5	10	10	60	72	0.55	1" GM	
BP0431**00900	431	512	16.5	14.5	10	10	103	122			
BP0503**00900	503	-	14.5	-	10	-	120	-			
BP0513**00900	513	614	12	10	10	10	60	72			
BP0838**00900	838	1004	8	6.5	8	6.5	103	122			
BP1027**00900	1027	-	6.5	-	6.5	-	120	-			
BP0251**00900	251	302	19	17.5	10	10	60	72	0.75	1 1/2" GM	
BP0431**00900	431	512	16.5	14.5	10	10	103	122			
BP0503**00900	503	-	14.5	-	10	-	120	-			
BP0513**00900	513	614	12	10	10	10	60	72			
BP0838**00900	838	1004	8	6.5	8	6.5	103	122			
BP1027**00900	1027	-	6.5	-	6.5	-	120	-			

The information within this document may be subject to change without prior notice. All dimensions in mm.